



ISO 9001 ISO14001

Part No.

HRA11

Automotive Relay

Features:

- ⇒ Size :74.8×32.3× 39(mm)
- ⇒ 75A switching capability
- ⇒1 Form A
- ⇒Engine Start Preheating System
- ⇒Power managementsystem,Front windshield heating
- ⇒Start / stop control,etc



Odering Information

HRA11 - DC12V - A - D - X

① ② ③ ④ ⑤

④ Parallel coil components

R: With Resistor

D1:The anode of the diode is connected to terminal #86

D2:The cathode of the diode is connected to terminal #86

DD:The coil is connected in parallel with a bidirectional diode

Nil :Standard

- ① Part No.
- ② Coil Voltage :
DC 12, 24V
- ③ Contact form:
A : 1 Form A
- ⑤ Special requirment

Specification:

| Contact | | Characteristics | |
|-----------------------|---------------|-----------------------|-------------------------------|
| Contact Form | 1 Form A | Insulation resistance | 100MΩ(500VDC) |
| Contact Material | Ag Alloy | Dielectric Strength | Between coil &contact 1000VAC |
| Contact Resistance | 100 mΩ | Operate time | ≤ 30ms |
| Contact Rating | 75A 28VDC | Release time | ≤ 15ms |
| Min Contact Load | 1A 6VDC | Shock Endurance | 100 m/s ² |
| Max Switching Current | 80A | Resistance Damage | 1000 m/s ² |
| Electrical Life | 50,000 ops | Vibration Resistance | 10-1000 HZ,>3g |
| Mechanical Life | 1,000,000 ops | Ambient Temperature | -40 °C to 125°C |
| | | Weigt | Approx. 100g |

Noted :the data are initial value

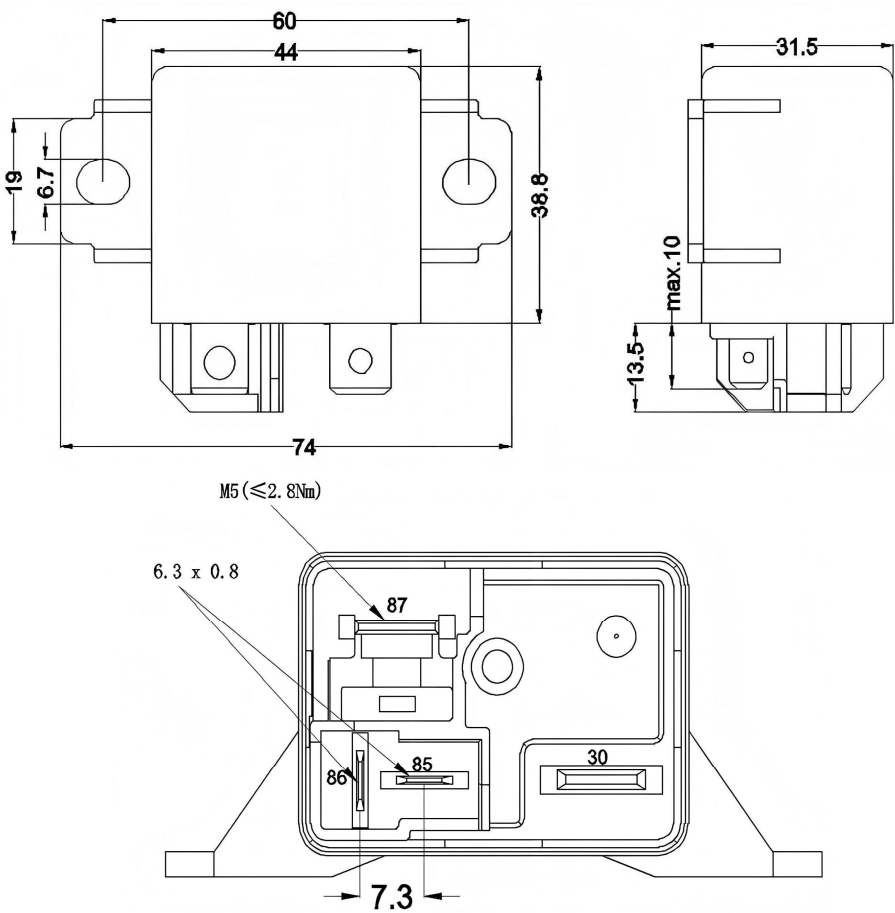
Coil Data:

at 23°C

| Nominal Voltage VDC | 12V 3.1W | | 24V 4.4W | | Max Voltage VDC | Coil Resistance Ω |
|---------------------|---------------------|-----|---------------------|-----|-----------------|-------------------|
| | Operate Voltage VDC | Max | Release Voltage VDC | Min | | |
| 12 | 8.00 | | 1.20 | | 15.60 | 46 |
| 24 | 17.00 | | 2.40 | | 31.20 | 130 |

Dimension(mm)

Tolerance ± 0.2



Wiring Diagram

