



Part No.  
**HRA8**

Automotive Wiper Control

**Features:**

- ⇒ Size :30×30×50.0(mm)
- ⇒ Wiper operation control
- ⇒ MCU control circuit, stable and reliable performance with high accuracy
- ⇒ Dust cover type IP50



**Odering Information**

HRA8 - DC12V - X  
 ①                      ②                      ③

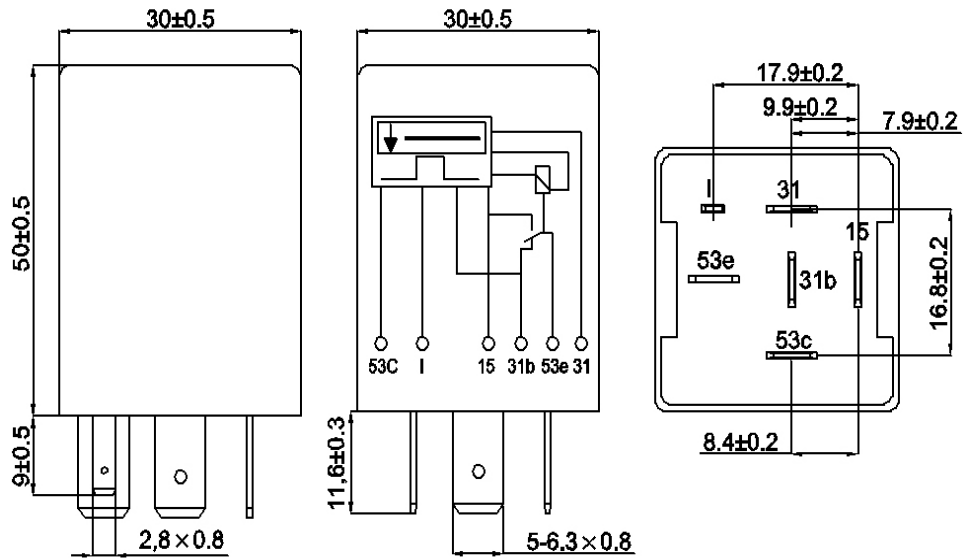
- ① Part No.
- ② Coil Voltage :  
DC 12 , 24V
- ③ Special requirment

**Specification:**

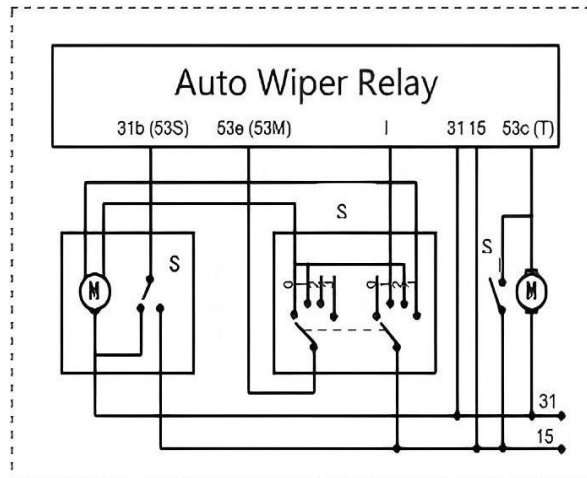
Wiping time:		Characteristics	
3.5S± 1S		Vibration Sine	10Hz-200Hz 49m/s <sup>2</sup>
		resistance Random	10Hz-1000Hz 19.6m/s <sup>2</sup>
Intermittent time			
5.5S±1.5S		Shock Resistace	196m/s <sup>2</sup>
Contact Rating	20A 14VDC	Ambient Temperature	-40 °C to 85°C
Electrical Life	1*10 <sup>5</sup>	Weigt	Approx. 28g

Nominal Voltage VDC	Operate Voltage VDC	Normal Motor Load
12	9-16	50w

## Dimension(mm)



## The wiring diagram



## Functional Description

**Pin 15(30):** Connect to the positive terminal of the power supply (+12V or +24V).

**Pin 31:** Connect to the negative terminal of the power supply (GND).

**Pin I:** Connect to the combination switch S2 for intermittent wiper control.

**Pin 53e(53M):** Connect to the combination switch S2 to output control signals to the wiper motor.

**Pin 31b:** Connect to the wiper motor turbine switch S1 for feedback on the wiper motor stop position.

**Pin 53c(T):** Connect to the washer pump switch S3 for wash-wipe control.